

IP-COM

Quick Installation Guide

9GE+1SFP Ethernet Unmanaged Switch With 8-Port PoE

G1110PF-8-120W

Package contents

- Switch × 1
- Power adapter × 1
- Power cord × 1
- Screw (thread diameter: 3 mm, length: 14 mm, head diameter: 5.2 mm) × 2
- Plastic anchor (height: 6.6 mm, inner diameter: 2.4 mm, length: 26.4 mm) × 2
- Quick installation guide

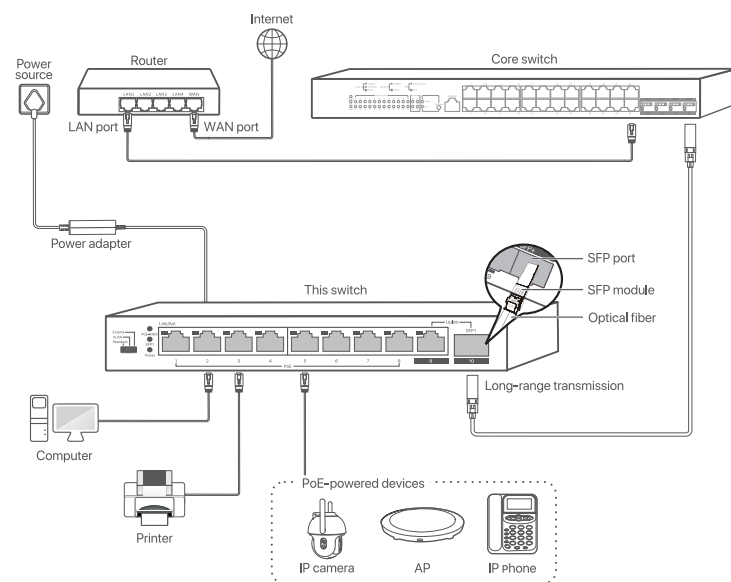
Typical network topologies



Tips

- The switch supports auto MDI/MDIX. You can use either a straight through cable or a crossover cable to connect the switch to Ethernet devices.
- To protect the switch from overload, PoE ports of your switch are assigned with power supply priorities, and the priorities decrease as the port number increases. When the total power consumption of the PoE-powered devices exceeds the maximum output of the switch, the switch starts cutting the power supply from the port with the lowest priority, until the total consumption does not exceed the maximum output.
- The SFP1 port on the switch is independent.

Standard mode (default)



Install the device

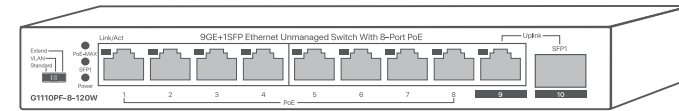
Preparations

- Desktop mounting: ESD bracelet or gloves
- Wall mounting: ESD bracelet or gloves, screwdriver, spirit level, marker, hammer drill, rubber hammer, ladder

Installation

Desktop mounting

Horizontally place the switch right-side up on a big enough, clean, stable and flat desktop.



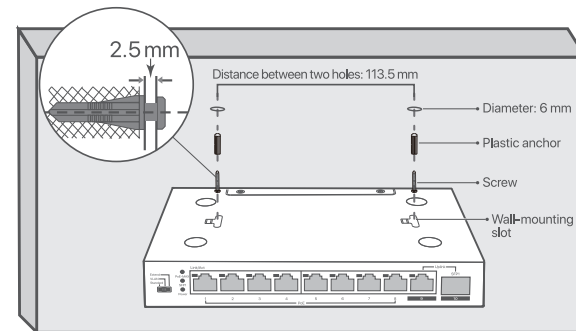
Wall mounting



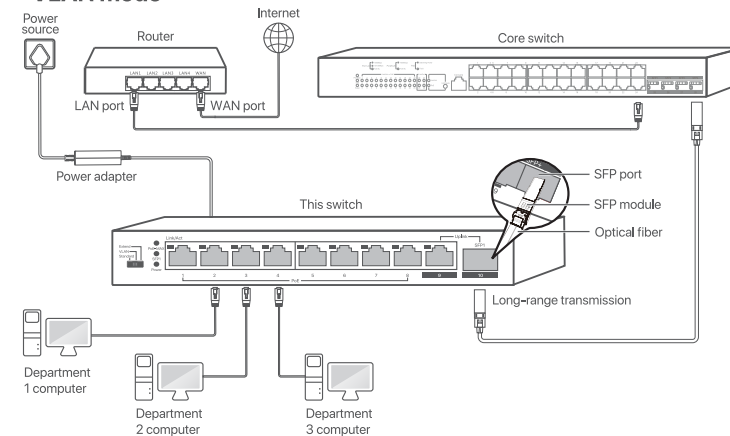
Note

- This switch can only be installed on non-flammable walls, such as a concrete wall.
- Do **NOT** install the switch with its air vents facing downward. Otherwise, there will be potential safety hazards.

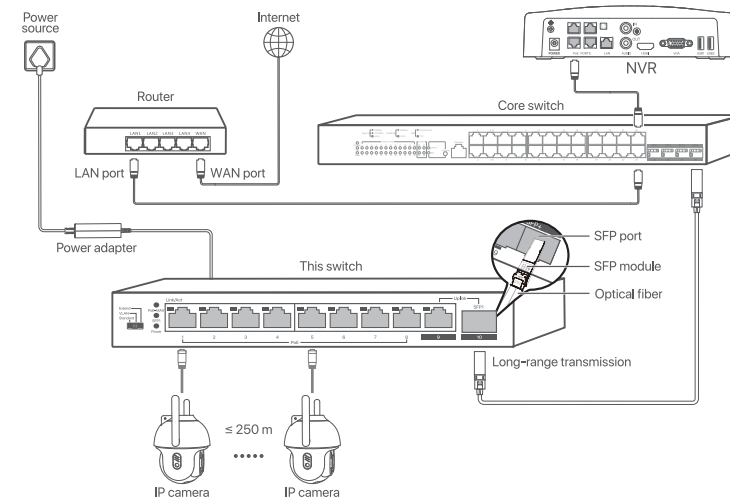
1. Mark your wall for the wall-mounting slots on the bottom of the switch (distance between two holes: 113.5 mm) and drill two holes (diameter: 6 mm) horizontally.
2. Hammer an included plastic anchor into each hole.
3. Insert an included screw into each plastic anchor, leaving a gap (at least 2.5 mm) between the screw head and plastic anchor.
4. Place the switch on the screws and slide it down until it locks into place.



VLAN mode



Extend mode



After connection, you can check whether the switch is connected properly or change its working mode based on the following tables.

Indicators

Indicator	Description
Power	Solid on: The switch is powered on. Off: The switch is powered off or connected improperly.
Link/Act, SFP1	Solid on: The port is connected, but no data is being transmitted over the port. Blinking: Data is being transmitted over the port. Off: The port is disconnected.
PoE-MAX	Solid on: The maximum PoE budget is reached. Off: The maximum PoE budget is not reached.

Working mode toggle

Working mode	Description
Standard	Default mode. In this mode, all ports can communicate with each other.
VLAN	In this mode, downlink ports 1-8 are isolated from each other, but can communicate with uplink ports 9-10. This mode helps isolate DHCP broadcast and reduce broadcast storm.
Extend	In this mode, data rate of ports 1-8 reduces to 10Mbps, the maximum transmission distance can be 250 meters, and all ports can communicate with each other. Tips To ensure network extension, use CAT5e Ethernet cables or above and set the speed and duplex mode of the peer device port to Auto Negotiation. If the peer device is an IP camera, adjust its stream rate to below 8Mbps to ensure timely data transmission.

Get support and services

For technical specifications, user guides and more information, please visit the product page or service page on www.ip-com.com.cn. Multiple languages are available. You can see the product name and model on the product label.



<https://www.ip-com.com.cn/en/service/default.html>

Safety precautions

- Before operating, read the operation instructions and precautions to be taken, and follow them to prevent accidents. The warning and danger items in other documents do not cover all the safety precautions that must be followed. They are only supplementary information, and the installation and maintenance personnel need to understand the basic safety precautions to be taken.
 - For wall mounting, the device is only suitable for mounting at heights $\leq 2m$.
 - Operating environment: Temperature: 0°C - 40°C (32°F - 104°F); Humidity: (10% - 90%) RH, non-condensing; Storage environment: Temperature: -40°C - 70°C (-40°F - 158°F); Humidity: (5% - 90%) RH, non-condensing.
 - Do not block any ventilation openings.
 - Do not use the power adapter if its plug or cord is damaged.
 - The mains plug is used as the disconnect device and shall remain readily operable.
 - The power socket shall be installed near the device and easily accessible.
 - Only use attachments/accessories specified by the manufacturer.
 - Keep the device away from water, heat sources, high electric field, high magnetic field, and inflammable and explosive items.
 - Ensure proper grounding before device operation. Refer to the **Lightning Protection Guide** on the official website for guidance.
 - Disassembling or modifying the device or its accessories without authorization voids the warranty, and might cause safety hazards.
 - If such phenomena as smoke, abnormal sound or smell appear when you use the device, immediately stop using it and disconnect its power supply, unplug all connected cables, and contact the after-sales service personnel.
 - Disconnect the power source during servicing.
 - Refer all servicing to qualified service personnel.
 - The device's marking information can be found on its surface.
- For the latest safety precautions, see **Safety and Regulatory Information** on www.ip-com.com.cn



CE mark warning

This is a Class A product.

Warning: Operation of this equipment in a residential environment could cause radio interference. In which case the user may be required to take adequate measures.

NOTE: (1) The manufacturer is not responsible for any radio or TV interference caused by unauthorized modifications to this equipment. (2) To avoid unnecessary radiation interference, it is recommended to use a shielded RJ45 cable.

Declaration of Conformity

Hereby, SHENZHEN IP-COM Networks Co., Ltd. declares that the device (Switch) is in compliance with directives 2014/35/EU and 2014/30/EU.

The full text of the EU Declaration of Conformity is available at the following internet address: <http://ip-com.com.cn/en/ce.html>



FAQ

Q1. The Power indicator does not light up. What should I do?

- Ensure that the power adapter is connected to the switch and the power jack properly.
- Ensure that the switch is powered on.
- Ensure that the input voltage matches the value required by the switch.

Q2. The Link/Act indicator is off. What should I do?

- Ensure that the Ethernet cable between the switch and the attached device is connected properly.
- Ensure that the Ethernet cable is not damaged, and the length of the Ethernet cable meets the requirements.
- Ensure that the switch is powered on.
- Ensure the connected device is powered on and working properly.

Q3. The PoE ports do not supply power to devices. What should I do?

- Ensure that the powered devices comply with the IEEE 802.3af/at standards.
- Ensure that the power consumption/total power consumption does not exceed the maximum output power of each port/switch.
- Ensure that the powered devices are connected to the switch properly with CAT5e Ethernet cables or above (Standard/VLAN mode: Ethernet cable $\leq 100m$, Extend mode: Ethernet cable $\leq 250m$)

Q4. What are the PoE power supply parameters of the switch?

Model	G1110PF-8-120W
PoE standards	Compliant with IEEE 802.3af, IEEE 802.3at
PoE power cable core	4 cores, voltage of cores 1, 2 is +, and cores 3, 6 is -
PoE port	1 - 8
Maximum output of a single port	30W
Maximum output of the switch	110W



RECYCLING

This product bears the selective sorting symbol for Waste Electrical and Electronic Equipment (WEEE). This means that this product must be handled pursuant to European directive 2012/19/EU in order to be recycled or dismantled to minimize its impact on the environment. User has the choice to give his product to a competent recycling organization or to the retailer when he buys a new electrical or electronic equipment.



FCC statement

This equipment has been tested and found to comply with the limits for a Class A digital device, pursuant to Part 15 of the FCC Rules. These limits are designed to provide reasonable protection against harmful interference when the equipment is operated in a commercial environment. This equipment generates, uses, and can radiate radio frequency energy and, if not installed and used in accordance with the instruction manual, may cause harmful interference to radio communications. Operation of this equipment in a residential area is likely to cause harmful interference in which case the user will be required to correct the interference at his own expense.

Operation is subject to the following two conditions: (1) this device may not cause harmful interference, and (2) this device must accept any interference received, including interference that may cause undesired operation.

Caution!

Any changes or modifications not expressly approved by the party responsible for compliance could void the user's authority to operate the equipment.

NOTE: (1) The manufacturer is not responsible for any radio or TV interference caused by unauthorized modifications to this equipment. (2) To avoid unnecessary radiation interference, it is recommended to use a shielded RJ45 cable.

Technical support

Shenzhen IP-COM Networks Co., Ltd.
Address: Room 101, Unit A, First Floor, Tower E3, No.1001, Zhongshanyuan Road, Nanshan District, Shenzhen, China. 518052
Email: info@ip-com.com.cn
Website: www.ip-com.com.cn

Copyright ©2024 IP-COM Networks Co., Ltd. All rights reserved.

This documentation (including pictures, images, and product specifications, etc.) is for reference only. To improve internal design, operational function, and/or reliability, IP-COM reserves the right to make changes to the products described in this document without obligation to notify any person or organization of such revisions or changes.

V1.0 Keep for future reference