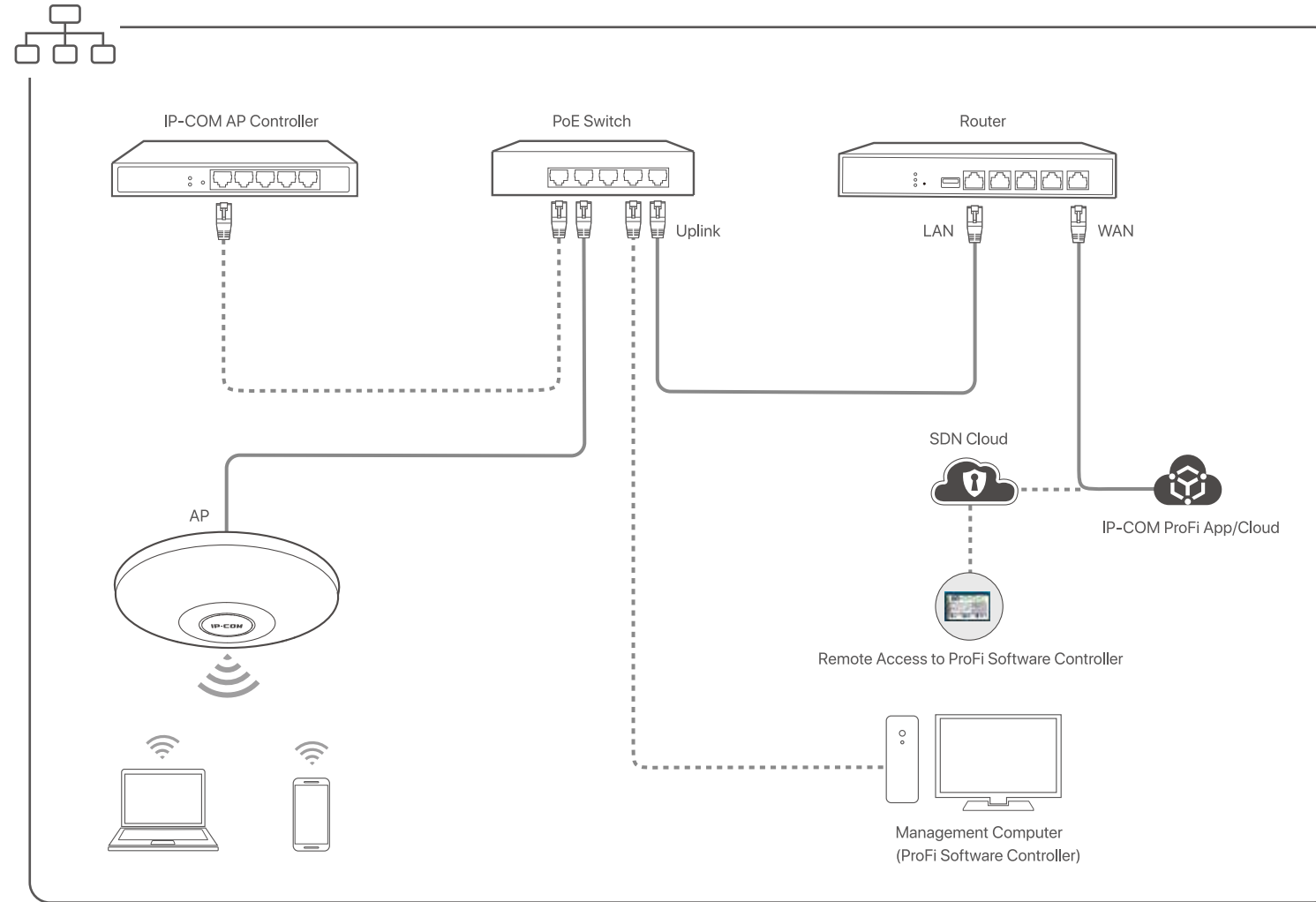
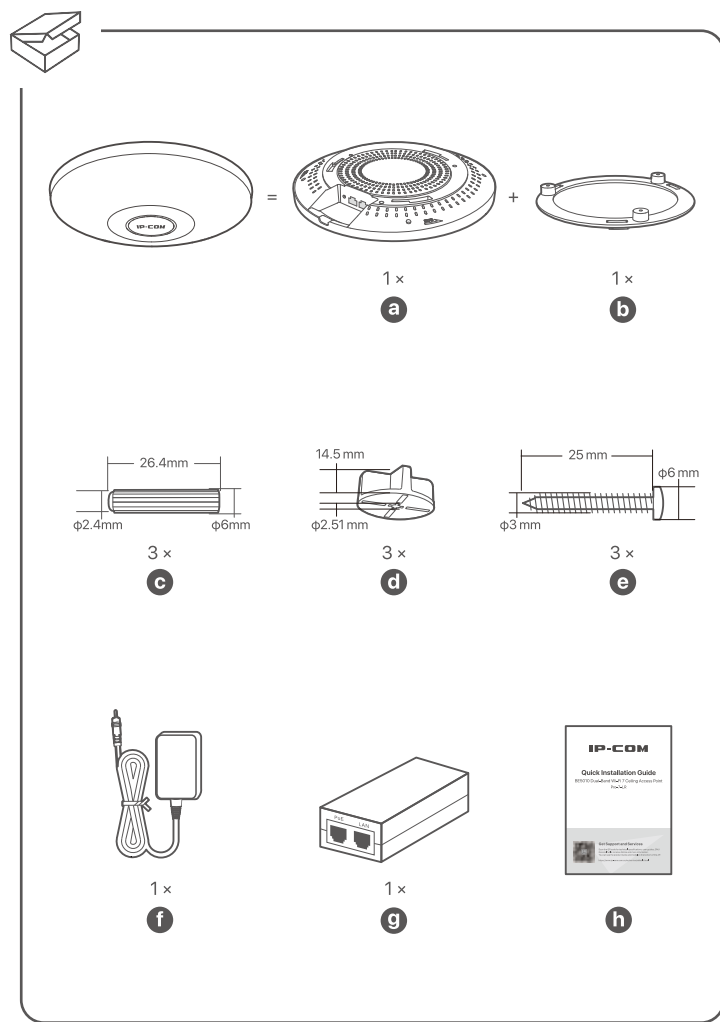


# IP-COM

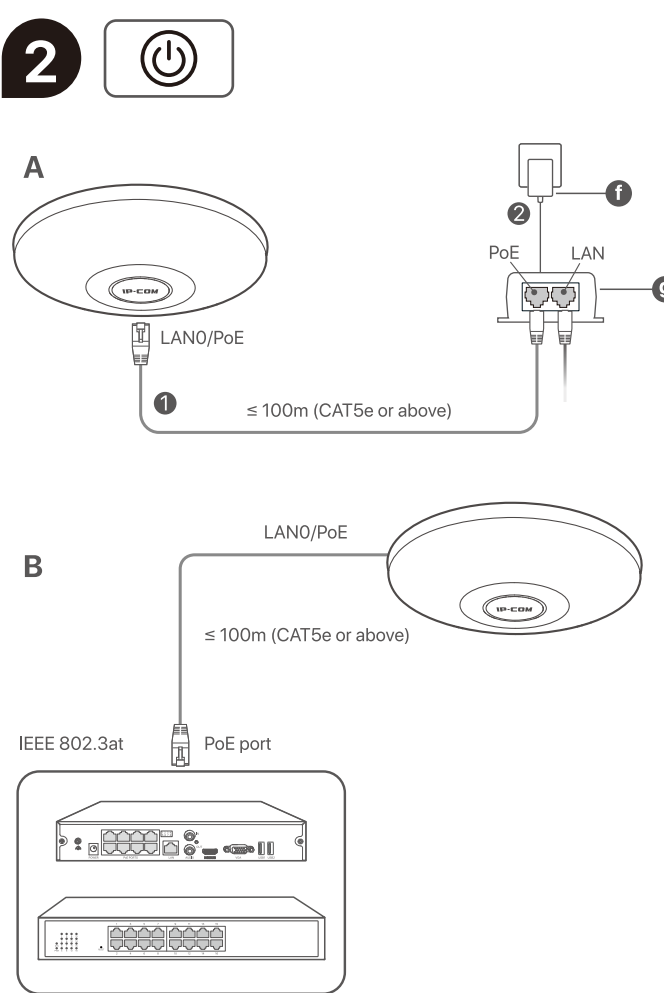
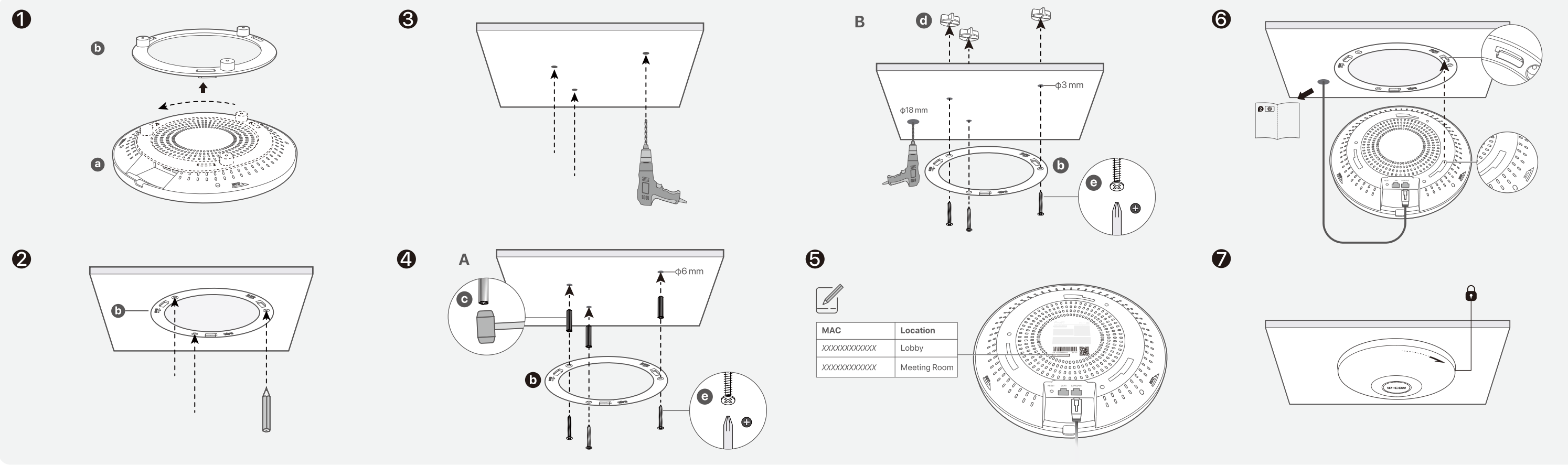
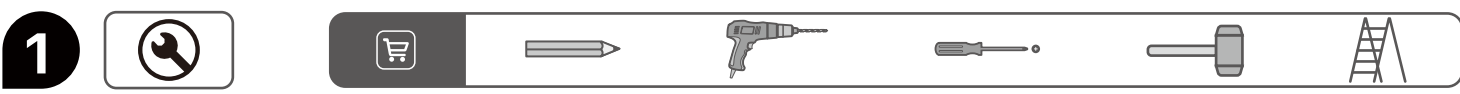
## Quick Installation Guide

BE5010 Dual-Band Wi-Fi 7 Ceiling Access Point  
Pro-7-LR



### Get Support and Services

Scan the QR code for technical specifications, user guides, GNU General Public License Notice, Symbols on Products and Materials and more information. You can see the product name and model on the bottom of the AP. <https://www.ip-com.com.cn/en/service/default.html>



### Use IP-COM ProFi cloud

Before managing the AP on the cloud, add the AP to the IP-COM ProFi App or IP-COM ProFi Cloud (<https://www.ip-com.com.cn/en/>).

#### Method 1: Add the AP over Wi-Fi

- Get the IP-COM ProFi from Google Play, App Store or QR code.

- Connect your mobile device to the Wi-Fi of the AP.
- Open the app, and tap an existing project or create a new one.
- Tap the pop-up window that shows the AP is detected, and add it to the project.
- If the pop-up window does not appear, tap ➊ and follow the on-screen instructions.

#### Method 2: Add the AP with Unique Cloud Code

- Get the **Unique Cloud Code** from IP-COM ProFi App or IP-COM ProFi Cloud.
- Refer to **Use Web Browser** to log in to the web UI of the AP, enable Cloud Maintenance and paste the **Unique Cloud Code**.
- Add the AP to the project through **Device-joining Alert** on IP-COM ProFi App or IP-COM ProFi Cloud.

#### Use ProFi Software Controller

Visit [www.ip-com.com.cn/en/](http://www.ip-com.com.cn/en/) to download ProFi Software Controller to your computer for management. For details, get the user guide of the **ProFi Software Controller** on [www.ip-com.com.cn/en/](http://www.ip-com.com.cn/en/).

### Use IP-COM Hardware Controller

IP-COM hardware controller is an IP-COM AP controller or IP-COM router with AP management function. If there is an IP-COM hardware controller in the LAN, you can manage the APs in batches using the hardware controller. For details, get the user guide of the hardware controller of the model on [www.ip-com.com.cn](http://www.ip-com.com.cn).

### Use Web Browser

- Connect your Wi-Fi enabled device to the Wi-Fi of the AP.
- Start a web browser and enter <http://ipcoml.com.cn> in the address bar.
- Follow the on-screen instructions for initial login.

### Indicator/Button/Ports

Indicator status	Description
Solid white	The AP is starting up.
Blinking white	The AP is waiting to be managed by a controller (such as IP-COM ProFi Software Controller, IP-COM ProFi App or IP-COM ProFi Cloud, an AP controller (APC), or a router with AP management functions).
Solid blue	The AP is managed by a controller and is working properly.
Fast blinking blue	The AP Locuste feature was activated in the ProFi Software Controller, IP-COM ProFi App or IP-COM ProFi Cloud.
Slowly blinking blue	The Wi-Fi of the AP is disabled.
Alternating white/blue	The AP is busy (for example, upgrading firmware). Do not cut off the power.

### FAQ

**Q1: I cannot log in to the web UI of the AP by visiting <http://ipcoml.com.cn>. What should I do?**  
**A1:** Try the following solutions:  
• Ensure that the AP is working properly, and the Wi-Fi enabled device is connected to the correct Wi-Fi.  
• Try to log to the web UI of the AP with the default IP address **192.168.0.254**. If the LAN where the AP is deployed with DHCP server, AP may automatically obtain the new IP address from the DHCP server. In this case, you can first check the IP address obtained from the DHCP server, and then use the new IP address to log in.  
• Clear the cache of your web browser or replace the web browser, and try to log again.  
• Refer to **Q4** to reset the AP.

**Q2: The IP-COM ProFi App fails to add the AP to a project. What should I do?**  
**A2:** Try the following solutions:  
• Ensure that the internet where the AP is deployed is connected.  
• Ensure that the firmware of the AP is the latest version.  
• Reboot the AP.  
• Refer to **Q4** to reset the AP.

**Q3: The controller fails to detect the AP. What should I do?**  
**A3:** Try the following solutions:  
• Ensure that the physical connections are correct and the AP has started up properly.  
• If VLAN exists in the network, ensure that the controller is in the same VLAN as the AP.  
• Reboot the AP.  
• Ensure that the firmware of the controller and the AP is the latest version on [www.ip-com.com.cn](http://www.ip-com.com.cn).  
• Refer to **Q4** to reset the AP.

**Q4: How to reset the AP?**  
**A4:** When the AP is idle, hold down the reset button (RESET) with a needle-like object for about 8 seconds. Wait until the AP is reset successfully for about 1 minute.

### Safety Precautions

Before operating, read and follow these precautions to prevent accidents.

- Operating temperature: 0°C~40°C (32°F~104°F).
- The AP is suitable for mounting at heights > 2m.
- Do not use the device in a place where wireless devices are not allowed.
- Use a power adapter or PoE power supply device with the required specifications. Do not use the power adapter or PoE power supply device if it is damaged.
- Keep the device away from noise, fire, high electric field, high magnetic field, and inflammable and explosive items.
- If such phenomena as smoke, abnormal sound or smell appear when you use the device, immediately stop using it and disconnect its power supply, unplug all connected cables, and contact the after-sales service personnel.
- Disconnecting or modifying the device or its accessories without authorization voids the warranty, and might cause safety hazards.
- Refer all servicing to qualified service personnel.
- Disconnect the power source during servicing.

For the latest safety precautions, see **Safety and Regulatory Information** on [www.ip-com.com.cn](http://www.ip-com.com.cn).

This is a Class B product. In a domestic environment, this product may cause radio interference, in which case the user may be required to take adequate measures. This equipment should be installed and operated with a minimum distance of 20 cm between the device and your body.

**NOTE:** (1) The manufacturer is not responsible for any radio or TV interference caused by unauthorized modifications to this equipment. (2) To avoid unnecessary radiation interference, it is recommended to use a shielded RJ45 cable.

English: Operating Frequency/Max Output Power Deutsch: Betriebsfrequenz/Max. Ausgangsleistung Español: Frecuencia operativa/Potencia de salida máxima Français: Fréquence de fonctionnement/Puissance de sortie maximale Nederlands: Bedrijfsfrequentie/Maximaal uitgangsvermogen Svenska: Driftfrekvens/Max. Utgåttkraft Danish: Driftfrekvens/Max. Udgangseffekt Slovenščina: Uporabna frekvenca/izhodna moč Magyar: Működési frekvencia/Maximális kimeneti teljesítség Polski: Częstotliwość pracy /Maksymalna moc wyjściowa Českina: Frekvence funkce/Maximální výkon výstupu Ελληνικά: Συχνότητα λειτουργίας/Μαξίμου ισχύος εξόδου Bosanski: Frekvencija funkcije/Preporučena maksimalna snaga izlaza Bosnian: Frekvencija funkcije/Preporučena maksimalna snaga izlaza Slovensščina: Čistotna frekvenca/izhodna moč Slovenščina: Pridelovna frekvenca/izhodna moč Hrvatski: Snaga i frekvencija rada/Preporučeni maksimalni izlazni snaga Lietuviškai: Operacinė frekvencija/ Maksimali išėjimo galia Türkçe: Çalışma Frekvansı/Max. Çıkış Gücü Pycckий: Рабочая частота/максимальная выходная мощность فارسی: تدریج تردد کاری/ توان خروجی زیاد	2412MHz-2472MHz/20dBm 5150MHz-5250MHz/ Indoor use up to 20dBm
---	---

**English-Attention:** In EU member states, EFTA countries, Northern Ireland and Great Britain, the operation in the frequency range 5150MHz-5250MHz is only permitted indoors.  
**Deutsch-Achtung:** In den Mitgliedstaaten der EFTA-Länder, Nordirland und Großbritannien ist der Betrieb im Frequenzbereich 5150MHz-5250MHz nur im Innenraum zulässig.  
**Italian-Attenzione:** negli Stati membri dell'Unione EFTA, nell'Irlanda del Nord e nel Regno Unito, l'uso in frequenza nella gamma di frequenza 5150MHz-5250MHz è consentito solo all'interno.  
**Spanish-Atención:** En los estados miembros de la UE, países de EFTA, Irlanda del Norte e Gran Bretaña, el uso en frecuencia en el rango de frecuencia 5150MHz-5250MHz solo está permitido en interiores.  
**Portuguese-Atenção:** Nos estados membros da UE, países da EFTA, Irlanda do Norte e Grã-Bretanha, o funcionamento na gama de frequência 5150MHz-5250MHz só é permitido em interiores.  
**François-Attention:** Dans les États membres de l'UE, les pays de l'ALE, l'Irlande du Nord et le Grand-Bretagne, l'utilisation dans la gamme de fréquence 5150MHz-5250MHz ne s'autorise qu'à l'intérieur.  
**Nederlands-Attentie:** In de EU-lidstaten, de EFTA-landen, Noord-Ierland en Groot-Brittannië is gebruik in het 5150MHz-5250MHz frequentiebereik alleen binnenruimtes toegestaan.  
**Svenska-Upmärksamhet:** EU-medlemsstater, EFTA-länder, Nordirland och Storbritannien får endast tillåta sin utrustning för användning i frekvensområdet 5150MHz-5250MHz inomhus.

**Dansk-Bemærk:** EU-medlemsstater, EFTA-landene, Nordirland og Storbritannien er dtilt tilladelsesområdet 5150MHz-5250MHz kun tilladt indenfor.  
**Slovenščina-Opomba:** V državah članicah Evropske unije, v državi članici EFTA, Severni Irski in Veliki Britaniji je dovoljena uporaba naprave v frekvenčni območju 5150MHz-5250MHz le v notranjosti.  
**Bosanski-Opomena:** U državama članicama EU, zemljama članicama EFTA, Severnoj Irskoj i Velikoj Britaniji je dozvoljena uporaba uređaja u frekventnom opsegu od 5150MHz do 5250MHz isključivo u zatvorenom prostoru.  
**Lietuviškai-Atsargumas:** ES valstybių narėms, EFTA šalims, Šiaurės Airijos ir Didiosios Britanijos 5150MHz-5250MHz dažnių diapazonu leidžiama naudoti įrenginį tik vidaus patalpose.  
**Hrvatski-Opasnost:** U državama članicama EU, zemljama članicama EFTA, Severnoj Irskoj i Velikoj Britaniji je dozvoljena uporaba uređaja u frekventnom opsegu od 5150MHz do 5250MHz isključivo u zatvorenom prostoru.  
**Latviešu-Atsargāties:** ES valstībās, EFTA valstīs, Ziemeļos Irā un Lielbritānijā, operācija ierīcēm ir atļauta tikai 5150MHz-5250MHz diapazonā iekšējā telpā.  
**Litvánų-Dėmesys:** ES valstybių narėms, EFTA šalims, Šiaurės Airijos ir Didiosios Britanijos 5150MHz-5250MHz dažnių diapazonu leidžiama naudoti įrenginį tik vidaus patalpose.  
**Bosanski-Opomena:** U državama članicama EU, zemljama članicama EFTA, Severnoj Irskoj i Velikoj Britaniji je dozvoljena uporaba uređaja u frekventnom opsegu od 5150MHz do 5250MHz isključivo u zatvorenom prostoru.  
**Latviešu-Atsargāties:** ES valstībās, EFTA valstīs, Ziemeļos Irā un Lielbritānijā, operācija ierīcēm ir atļauta tikai 5150MHz-5250MHz diapazonā iekšējā telpā.

**RECYCLING**  
This product bears the selective sorting symbol for Waste Electrical and Electronic Equipment (WEEE). This means that this product must be handled pursuant to European directive 2012/19/EU in order to be recycled or dismantled or repaired to protect the environment. User has the choice to give his product to a competent recycling organization or to the retailer when he buys a new electrical or electronic equipment.



**FCC Statement**  
This equipment has been tested and found to comply with the limits for a Class B digital device, pursuant to Part 15 of the FCC Rules. These limits are designed to provide reasonable protection against harmful interference in a residential installation. This equipment generates, uses and can radiate radio frequency energy and, if not installed and used in accordance with the instructions, may cause harmful interference to radio communications. However, there is no guarantee that interference will not occur in a particular installation. If this equipment does cause harmful interference to radio or television reception, which can be determined by turning the equipment off and on, the user is encouraged to try to correct the interference by one or more of the following measures:  
— Reorient or relocate the receiving antenna.  
— Increase the separation between the equipment and receiver.  
— Connect the equipment into an outlet on a circuit different from that to which the receiver is connected.  
— Consult the dealer or an experienced radio/TV technician for help.  
The device is for indoor usage only.  
Operation is subject to the following two conditions: (1) This device may not cause harmful interference, and (2) This device must accept any interference received, including interference that may cause undesired operation.  
**Radiation Exposure Statement**  
This device complies with FCC radiation exposure limits set forth for an uncontrolled environment and it also complies with Part 15 of the FCC RF Rules.  
This device should be installed and operated with a minimum distance of 20 cm between the device and your body.  
**Caution:**  
Any changes or modifications not expressly approved by the party responsible for compliance could void the user's authority to operate this equipment.  
This transmitter must not be co-located or operating in conjunction with any other antenna or transmitter.  
Operating frequency: 2412-2482MHz, 5150-5250MHz, 5155-5820MHz.  
**NOTE:** (1) The manufacturer is not responsible for any radio or TV interference caused by unauthorized modifications to this equipment. (2) To avoid unnecessary radiation interference, it is recommended to use a shielded RJ45 cable.

**Technical Support**  
Shenzhen IP-COM Networks Co., Ltd.  
Address: Room 301, Unit A, First Floor, Tower E3, No.1001, Zhonghanyuan Road, Nanshan District, Shenzhen, China, 518024.  
E-mail: [info@ip-com.com.cn](mailto:info@ip-com.com.cn)  
Website: [www.ip-com.com.cn](http://www.ip-com.com.cn)

Copyright ©2025 IP-COM Networks Co., Ltd. All rights reserved.  
This documentation (including pictures, images, and product specifications, etc.) is for reference only. To improve internal design, operational function, and/or reliability, IP-COM reserves the right to make changes to the products described in this document without obligation to notify any particular organization of such revisions or changes.  
V1.0 keep for future reference.