

## Quick Installation Guide

Wireless N300 Home Router

F6

### Package Contents

- Wireless router x 1
- Power adapter x 1
- Ethernet cable x 1
- Quick installation guide x 1

3. The router detects your connection type automatically (Example: PPPoE).

- Enter the **User Name** and **Password** provided by ISP.
- If you forget your PPPoE username and password, click import them from your original router and perform operations as prompted, or you can obtain the PPPoE username and password from your ISP and manually enter them.

4. Set **WiFi Name** and **WiFi Password** of the router, and click **OK**.

**Tenda**  
You can access the internet after completing settings on this page.

As detected, your connection type is: PPPoE  
mic IP Address  Static IP Address

Internet  Connection Type  PPPoE  Dyna  
This type is applicable if you have a user name and password for setting up a broadband dial-up connection. You can import them from your original router.

User Name

Password

WiFi Name

WiFi Password

**OK**



Done.

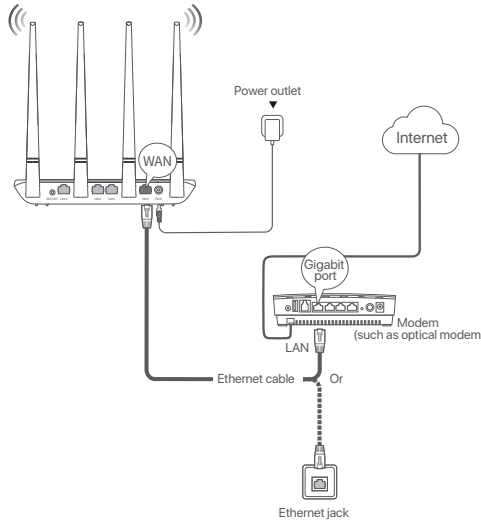
## I Connect the router



Tips

If you use the modem for internet access, power off the modem first before connecting the WAN port of the router to the LAN port of your modem and power it on after the connection.

1. Connect the **WAN** port of the router to the LAN port of your modem or the Ethernet jack using an Ethernet cable.
2. Power on the router.



Connect your devices to the internet.

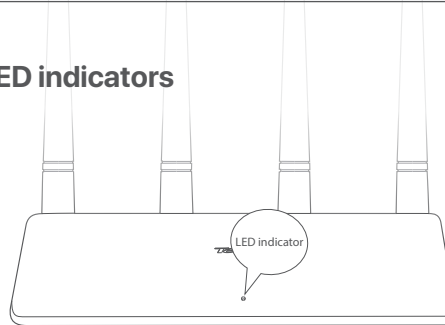
- **WiFi-enabled devices:** Connect to the WiFi network using the WiFi name and password you set.
- **Wired devices:** Connect to a LAN port (for example, **LAN1, LAN2 or LAN3**) of the router using an Ethernet cable.



Tips

If you cannot access the internet, see **Q2** in **FAQ**.

## LED indicators

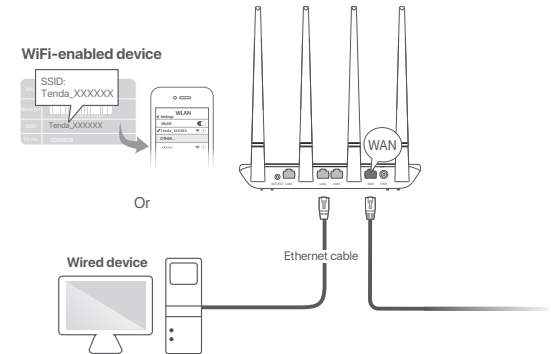


LED Indicator	Status	Description
LED Indicator	Solid on	Starting up or connected to the internet
	Slow blinking	Not connected to the internet
	Fast blinking for 3 seconds	A wired device is connected to or disconnected from the router

## II Connect the router to the internet

1. Connect your devices to the router.

- **WiFi-enabled devices:** Connect to the WiFi network of the router. The default WiFi name (SSID) can be found on the bottom label of the router. By default, there is no WiFi password.
- **Wired devices:** Connect to a LAN port (for example, **LAN1, LAN2 or LAN3**) of the router using an Ethernet cable.



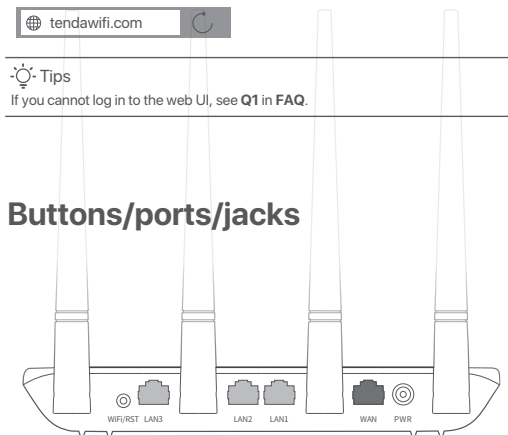
2. Start a browser on your device and enter **tendawifi.com** or **192.168.0.1** in the address bar to access the web UI (Example: computer).



Tips

If you cannot log in to the web UI, see **Q1** in **FAQ**.

## Buttons/ports/jacks



Button/port/jack	Description
WiFi/RST	WiFi on/off button and reset button. - WiFi on/off: Hold the button down for 1-3 seconds to turn on or turn off the WiFi network of the router. - Reset: For the reset method, see <b>Q3</b> in <b>FAQ</b> .
LAN1, LAN2, LAN3	LAN port. Used to connect to the wired devices such as computers or switches.
WAN	Used to connect to a modem or the Ethernet jack using an Ethernet cable for internet access.
PWR	Power jack. Use the included power adapter to connect this jack to a power source for the power supply.
	Wall-mounting slots. Used to fix the router to the wall. Wall-mounting materials are self-prepared (2 screws and 2 plastic anchors). Recommended specifications: - Screws: thread diameter: 3 mm, length: 14 mm; head diameter: 5.2 mm - Plastic anchors: inner diameter: 2.4 mm; length: 26.4 mm

## FAQ

**Q1: I cannot log in to the web UI of the router by visiting tendawifi.com. What should I do?**

**A1:** Try the following solutions:

- If you are using a WiFi-enabled device, such as a smartphone:
    - Ensure that it connects to the WiFi network of the router.
    - Ensure that the cellular network (mobile data) of the smartphone is disabled.
  - If you are using a wired device, such as a computer:
    - Ensure that **tendawifi.com** or **192.168.0.1** is entered correctly in the address bar, rather than the search bar of the web browser.
    - Ensure that the computer is connected to a LAN port (for example, **LAN1, LAN2** or **LAN3**) of the router properly using an Ethernet cable.
    - Ensure that the computer is set to **Obtain an IP address automatically** and **Obtain DNS server address automatically**.
- If the problem persists, reset the router by referring to **Q3**, and try again.

**Q2: I cannot access the internet after the configuration. What should I do?**

**A2:** Try the following solutions first:

- Check whether the WAN port of the router is connected to a modem or Ethernet jack properly.
  - Log in to the web UI of the router and navigate to the **Internet Settings** page. Follow the instructions on the page to solve the problem.
- If the problem persists, try the following solutions:
- For WiFi-enabled devices,
    - Check whether your WiFi-enabled devices are connected to the WiFi network of the router.
    - Log in to the web UI and change your WiFi name and WiFi password on **Wireless Settings** page. Then try again.
  - For wired devices:
    - Check whether your wired devices are connected to a LAN port (for example, **LAN1, LAN2** or **LAN3**) of the router properly.
    - Check whether wired devices are set to **Obtain an IP address automatically** and **Obtain DNS server address automatically**.

**Q3: How to reset the router?**

**A3:** When the router is working normally, hold down the **WiFi/RST** button for about 8 seconds and release it when the LED indicator blinks fast. The router is reset.

**Q4: What should I do if I forgot my WiFi password?**

**A4:** Log in to the web UI of the router on your wired or wireless device, navigate to **Wireless Settings** page, and check your WiFi password.



### FCC Statement

This equipment has been tested and found to comply with the limits for a Class B digital device, pursuant to Part 15 of the FCC Rules. These limits are designed to provide reasonable protection against harmful interference in a residential installation. This equipment generates, uses and can radiate radio frequency energy and, if not installed and used in accordance with the instructions, may cause harmful interference to radio communications. However, there is no guarantee that interference will not occur in a particular installation. If this equipment does cause harmful interference to radio or television reception, which can be determined by turning the equipment off and on, the user is encouraged to try to correct the interference by one or more of the following measures:

- Reorient or relocate the receiving antenna.
- Increase the separation between the equipment and receiver.
- Connect the equipment into an outlet on a circuit different from that to which the receiver is connected.
- Consult the dealer or an experienced radio/TV technician for help.

The device is for indoor usage only.

Operation is subject to the following two conditions: (1) this device may not cause harmful interference, and (2) this device must accept any interference received, including interference that may cause undesired operation.

### Radiation Exposure Statement

This device complies with FCC radiation exposure limits set forth for an uncontrolled environment and it also complies with Part 15 of the FCC RF Rules.

This equipment should be installed and operated with minimum distance 20cm between the device and your body.

### Caution:

Any changes or modifications not expressly approved by the party responsible for compliance could void the user's authority to operate this equipment.

This transmitter must not be co-located or operating in conjunction with any other antenna or transmitter.

Operating frequency: 2412-2462MHz

**NOTE:** (1) The manufacturer is not responsible for any radio or TV interference caused by unauthorized modifications to this equipment. (2) To avoid unnecessary radiation interference, it is recommended to use a shielded RJ45 cable.

## Get support and services

For technical specifications, user guides and more information, please visit the product page or service page on [www.tendacn.com](http://www.tendacn.com). Multiple languages are available. You can see the product name and model on the product label.



<https://www.tendacn.com/service/default.html>

## Safety Precautions

Before performing an operation, read the operation instructions and precautions to be taken, and follow them to prevent accidents. The warning and danger items in other documents do not cover all the safety precautions that must be followed. They are only supplementary information, and the installation and maintenance personnel need to understand the basic safety precautions to be taken.

- For desktop mounting, the device must be horizontally mounted for safe use.
- For wall mounting, the router is only suitable for mounting at heights  $\leq 2m$ . Do not use the device in a place where wireless devices are not allowed.
- Please use the included power adapter.
- Mains plug is used as the disconnect device, and shall remain readily operable.
- The power socket shall be installed near the device and easily accessible. Operating temperature: 0 C to 40 C.
- Keep the device away from water, fire, high electric field, high magnetic field, and inflammable and explosive items.
- Unplug this device and disconnect all cables during lightning storms or when the device is unused for long periods.
- Do not use the power adapter if its plug or cord is damaged.
- If such phenomena as smoke, abnormal sound or smell appear when you use the device, immediately stop using it and disconnect its power supply, unplug all connected cables, and contact the after-sales service personnel.
- Disassembling or modifying the device or its accessories without authorization voids the warranty, and might cause safety hazards.

For latest safety precautions, see **Safety and Regulatory Information** on [www.tendacn.com](http://www.tendacn.com).



### CE Mark Warning

This is a Class B product. In a domestic environment, this product may cause radio interference, in which case the user may be required to take adequate measures. This equipment should be installed and operated with a minimum distance 20cm between the device and your body.

**NOTE:** (1) The manufacturer is not responsible for any radio or TV interference caused by unauthorized modifications to this equipment. (2) To avoid unnecessary radiation interference, it is recommended to use a shielded RJ45 cable.

### Declaration of Conformity

Hereby, SHENZHEN TENDA TECHNOLOGY CO., LTD. declares that the device is in compliance with Directive 2014/53/EU.

The full text of the EU declaration of conformity is available at the following internet address: <https://www.tendacn.com/download/list-9.html>

“Este equipamento não tem direito à proteção contra interferência prejudicial e não pode causar interferência em sistemas devidamente autorizados.”

LA OPERACIÓN DE ESTE DISPOSITIVO ESTA SUJETA A LAS SIGUIENTES CONDICIONES:

- Es posible que este equipo o dispositivo no cause interferencia perjudicial.
  - Este equipo o dispositivo debe aceptar cualquier tipo de interferencia, incluyendo la que pueda causar su operación no deseada.
- Estimado usuario: Antes de utilizar este producto lo invitamos a leer el siguiente manual para que conozca todas sus funciones y características.

Producto	NOMBRE DEL PRODUCTO: Roteador de Home N300 sem fio MODELO: F6
Alimentador de Energía: Alimentación: 100V - 240V ca 50Hz/60Hz, 0.3A Salida: 9V cc 0.6A	
PAIS DE ORIGEN: CHINA	

## Operating Frequency/Max Output Power

<b>English:</b> Operating Frequency/Max Output Power <b>Polski:</b> Częstotliwość pracy / Maksymalna moc wyjściowa <b>Deutsch:</b> Betriebsfrequenz/Max. Ausgangsleistung <b>Русский:</b> Рабочая частота/макс. выходная мощность <b>Français:</b> Fréquence de fonctionnement/Puissance de sortie maximale <b>Nederlands:</b> Bedrijfsfrequentie/Maximaal uitgangsvermogen <b>Čeština:</b> Provozní frekvence/maximální výstupní výkon <b>Română:</b> Frecvența de funcționare/Puterea maximă de ieșire <b>Português:</b> Frequência de Funcionamento/Potência Máxima de Saída <b>Svenska:</b> Driftsfrekvens / Max Uteffekt <b>Slovenský:</b> Prevádzková frekvencia/maximálny výstupný výkon <b>Ελληνικά:</b> Συχνότητα Λειτουργίας/Μέγιστη Ισχύς Εξόδου <b>Magyar:</b> Működési frekvencia/Maximális kimeneti teljesítmény <b>Italiano:</b> Frequenza operativa/Potenza di uscita massima <b>Български:</b> Работна честота/максимална изходна мощност <b>Español:</b> Frecuencia operativa/Potencia de salida máxima <b>Eesti:</b> Töösagedus/Max väljundvõimsus <b>Dansk:</b> Driftsfrekvens/Maks. Udgangsleistung <b>Suomi:</b> Toimintataajuus/maksimilähtöteho <b>Hrvatski:</b> Radna frekvencija/Maksimalna izlazna snaga <b>Latviešu:</b> Operējošās frekvences/ Maksimālā jauda <b>Lietuvių:</b> Darbinis dažnis / maksimali išėjimo galia <b>Slovensčina:</b> Delovna frekvenca/Največja izhodna moč <b>Türkçe:</b> Çalışma Frekansı/Maks. Çıkış Gücü <b>Українська:</b> Робоча частота/максимальна вихідна потужність <b>الإخراج لبطاقة الأقمعي الحد / التشغيل نموذجي:</b>	2412MHz-2472MHz/19dBm
---	-----------------------



### RECYCLING

This product bears the selective sorting symbol for Waste electrical and electronic equipment (WEEE). This means that this product must be handled pursuant to European directive 2012/19/EU in order to be recycled or dismantled to minimize its impact on the environment. User has the choice to give his product to a competent recycling organization or to the retailer when he buys a new electrical or electronic equipment.



### Technical Support

Shenzhen Tenda Technology Co., Ltd.  
Floor 6-8, Tower E3, No.1001, Zhongshanyuan Road, Nanshan District, Shenzhen, China.  
518052

Website: [www.tendacn.com](http://www.tendacn.com)  
E-mail: [support@tenda.com.cn](mailto:support@tenda.com.cn)  
[support.uk@tenda.cn](mailto:support.uk@tenda.cn) (United Kingdom)  
[support.us@tenda.cn](mailto:support.us@tenda.cn) (North America)

### Copyright

© 2023 Shenzhen Tenda Technology Co., Ltd. All rights reserved.  
Tenda is a registered trademark legally held by Shenzhen Tenda Technology Co., Ltd.  
Other brand and product names mentioned herein are trademarks or registered trademarks of their respective holders. Specifications are subject to change without notice.